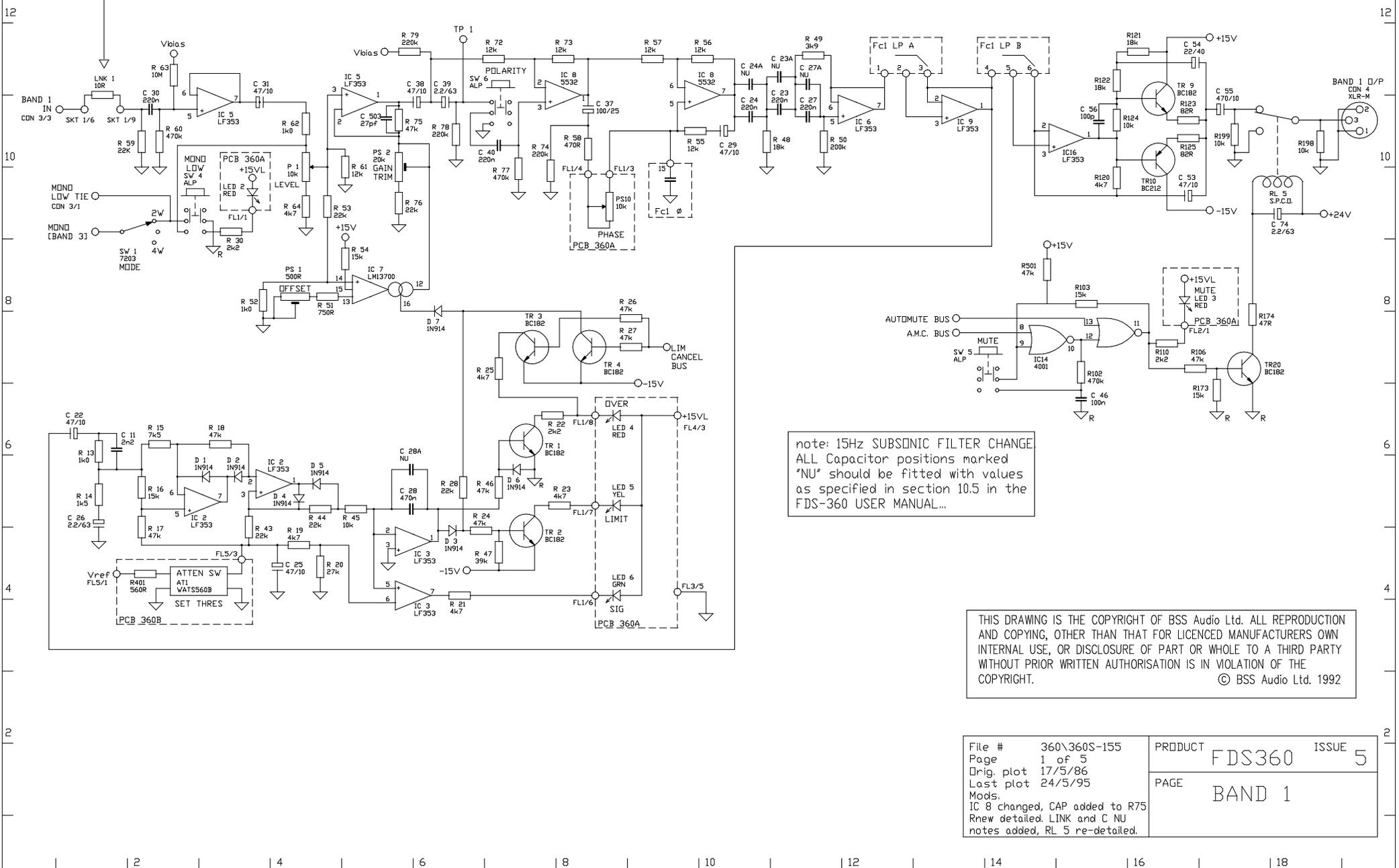


THIS LINK TO BE REMOVED
WHEN FDS-360 OPTION CARD
IS FITTED

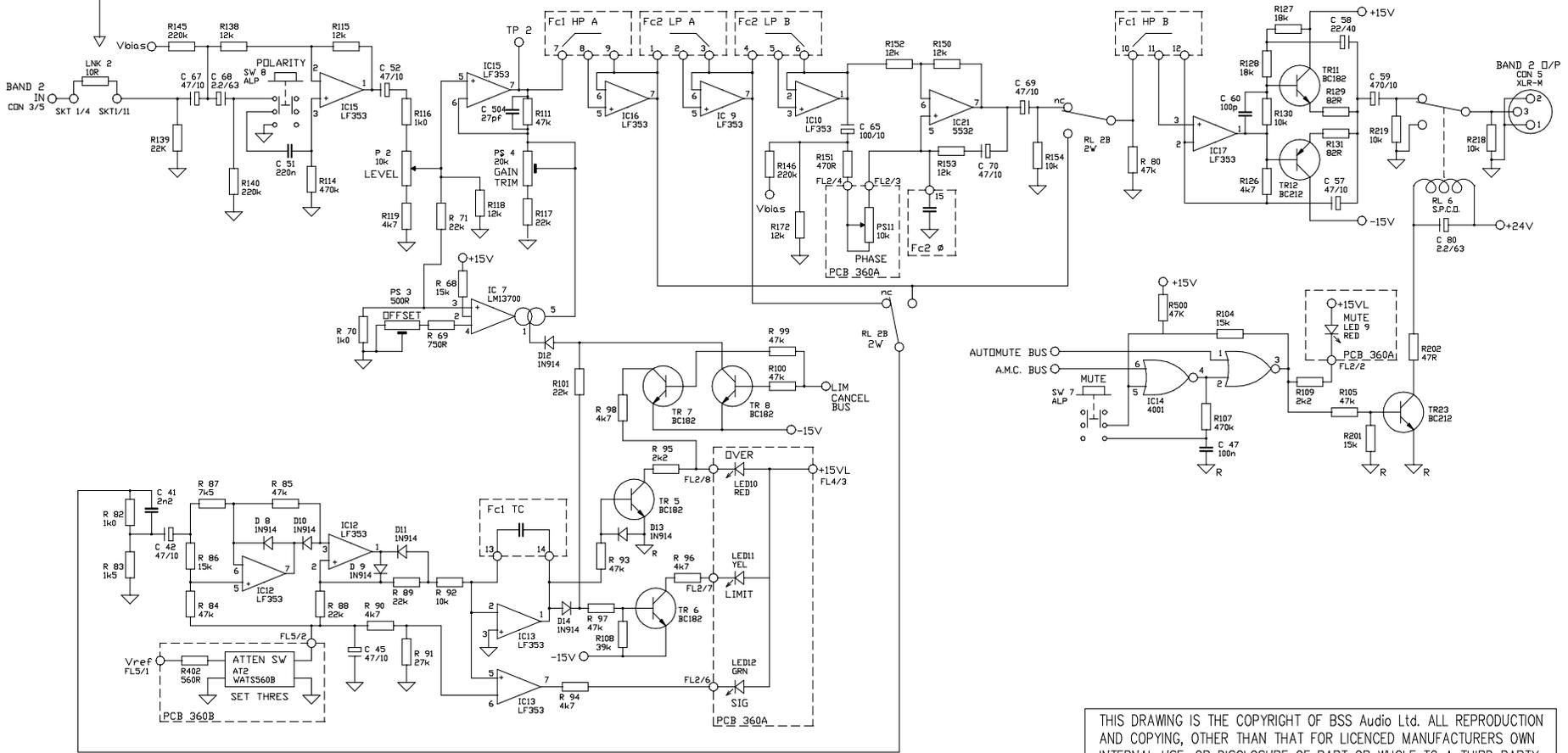


note: 15Hz SUBSONIC FILTER CHANGE
ALL Capacitor positions marked
"NU" should be fitted with values
as specified in section 10.5 in the
FDS-360 USER MANUAL...

THIS DRAWING IS THE COPYRIGHT OF BSS Audio Ltd. ALL REPRODUCTION
AND COPYING, OTHER THAN THAT FOR LICENCED MANUFACTURERS OWN
INTERNAL USE, OR DISCLOSURE OF PART OR WHOLE TO A THIRD PARTY
WITHOUT PRIOR WRITTEN AUTHORISATION IS IN VIOLATION OF THE
COPYRIGHT. © BSS Audio Ltd. 1992

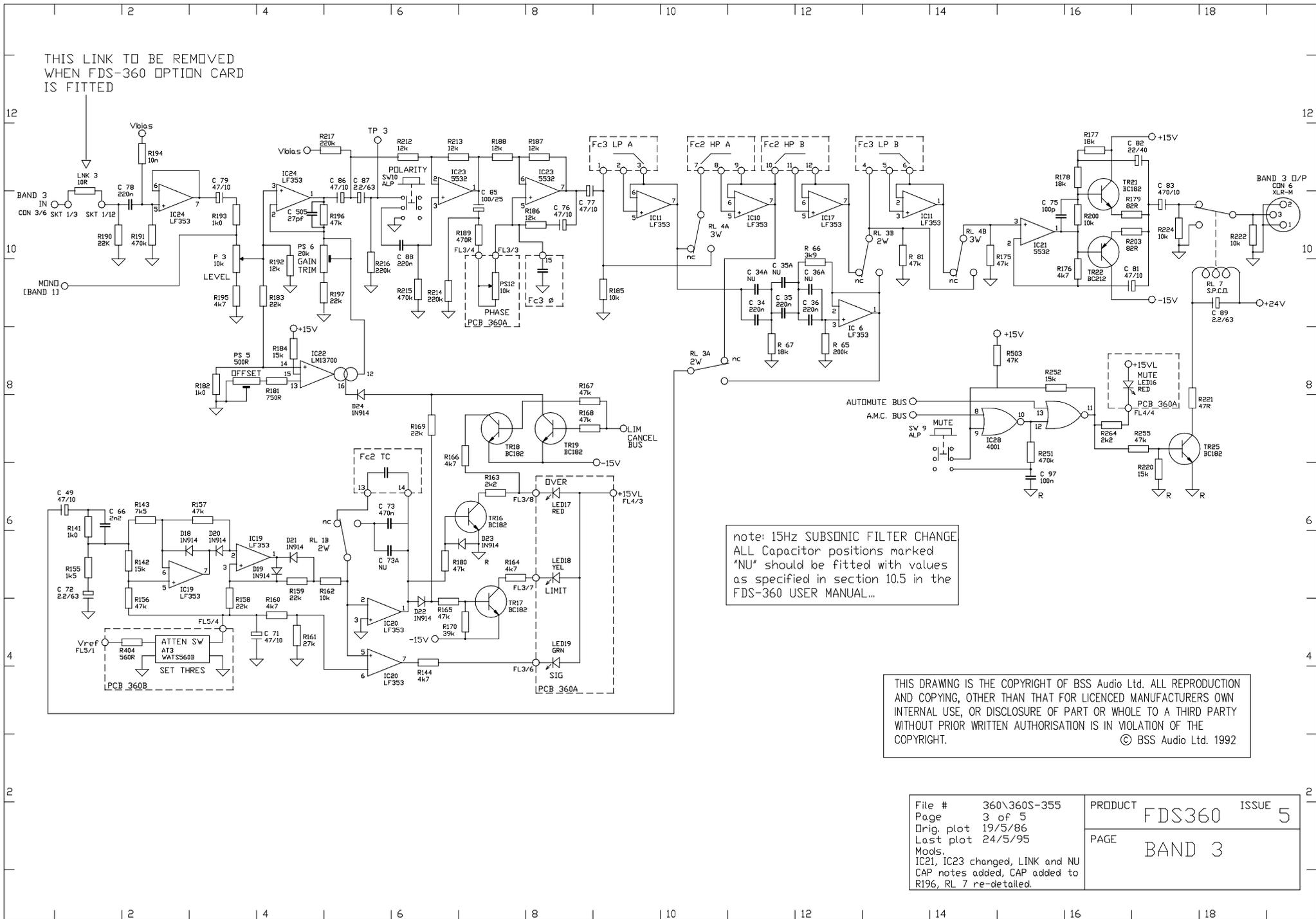
File #	360\360S-155	PRODUCT	FDS360	ISSUE	5
Page	1 of 5				
Orig. plot	17/5/86				
Last plot	24/5/95				
Mods.					
IC 8 changed, CAP added to R75 Rnew detailed LINK and C NU notes added, RL 5 re-detailed.					
		PAGE	BAND 1		

THIS LINK TO BE REMOVED
WHEN FDS-360 OPTION CARD
IS FITTED



THIS DRAWING IS THE COPYRIGHT OF BSS Audio Ltd. ALL REPRODUCTION AND COPYING, OTHER THAN THAT FOR LICENCED MANUFACTURERS OWN INTERNAL USE, OR DISCLOSURE OF PART OR WHOLE TO A THIRD PARTY WITHOUT PRIOR WRITTEN AUTHORISATION IS IN VIOLATION OF THE COPYRIGHT. © BSS Audio Ltd. 1992

File #	360N360S-255	PRODUCT	FDS360	ISSUE	5
Page	2 of 5	PAGE	BAND 2		
Orig. plot	19/5/86				
Last plot	24/5/95				
Mods.					
New values IC21 C59, CAP added to R111. LINK note added, RL 6 re-detailed.					



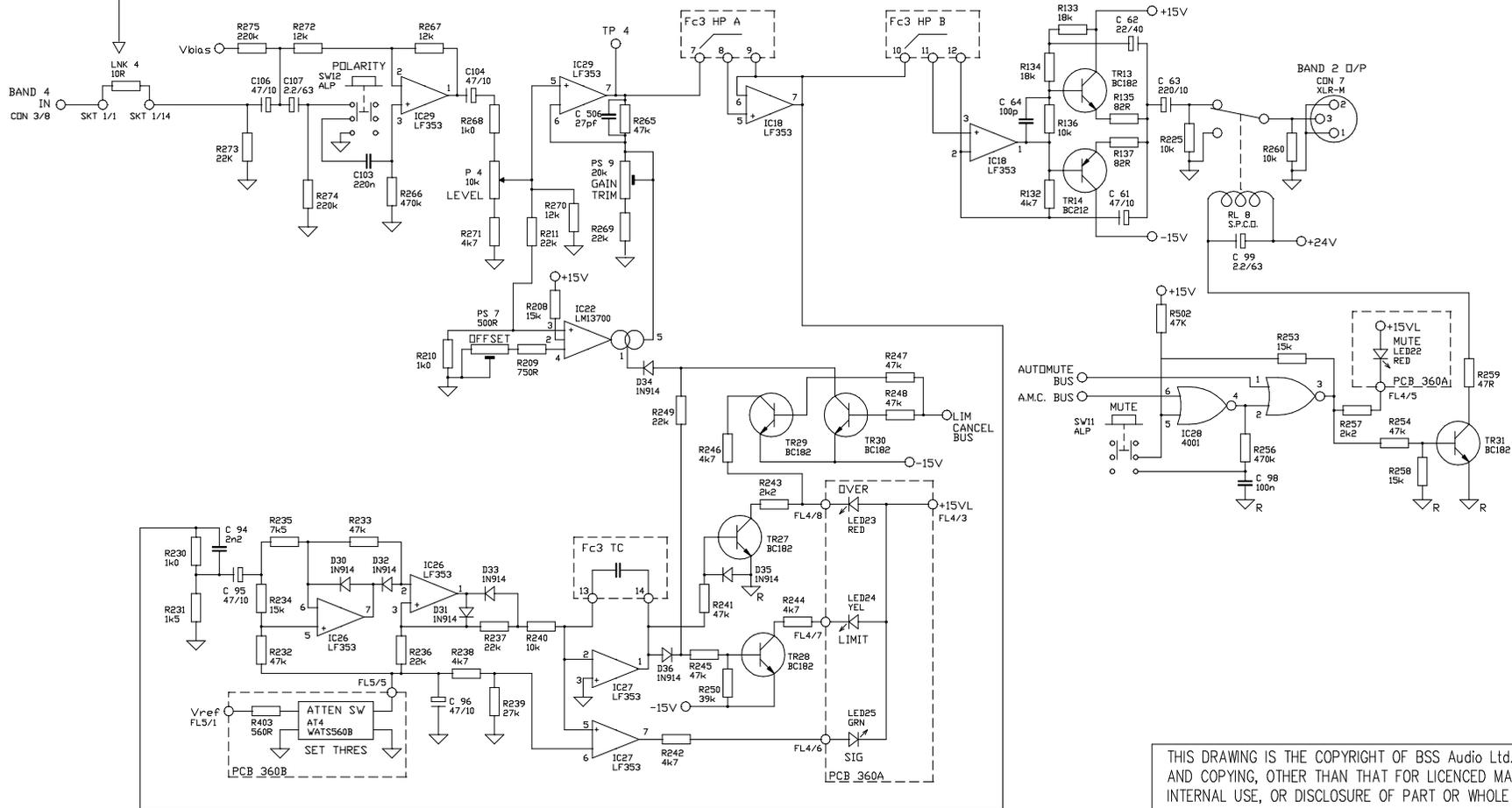
THIS LINK TO BE REMOVED
WHEN FDS-360 OPTION CARD
IS FITTED

note: 15Hz SUBSONIC FILTER CHANGE
ALL Capacitor positions marked
"NU" should be fitted with values
as specified in section 10.5 in the
FDS-360 USER MANUAL...

THIS DRAWING IS THE COPYRIGHT OF BSS Audio Ltd. ALL REPRODUCTION
AND COPYING, OTHER THAN THAT FOR LICENCED MANUFACTURERS OWN
INTERNAL USE, OR DISCLOSURE OF PART OR WHOLE TO A THIRD PARTY
WITHOUT PRIOR WRITTEN AUTHORISATION IS IN VIOLATION OF THE
COPYRIGHT. © BSS Audio Ltd. 1992

File #	360\360S-355	PRODUCT	FDS360	ISSUE	5
Page	3 of 5				
Orig. plot	19/5/86				
Last plot	24/5/95				
Mods.	IC21, IC23 changed, LINK and NU CAP notes added, CAP added to R196, RL 7 re-detailed.	PAGE	BAND 3		

THIS LINK TO BE REMOVED
WHEN FDS-360 OPTION CARD
IS FITTED



THIS DRAWING IS THE COPYRIGHT OF BSS Audio Ltd. ALL REPRODUCTION AND COPYING, OTHER THAN THAT FOR LICENCED MANUFACTURERS OWN INTERNAL USE, OR DISCLOSURE OF PART OR WHOLE TO A THIRD PARTY WITHOUT PRIOR WRITTEN AUTHORISATION IS IN VIOLATION OF THE COPYRIGHT.
© BSS Audio Ltd. 1992

File #	360\360S-455	PRODUCT	FDS360	ISSUE	5
Page	4 of 5	PAGE	BAND 4		
Orig. plot	19/5/86				
Last plot	24/5/95				
Mods.					
CAP added to R265, LINK note added, RL 8 re-detailed.					